

# MP600 Series

## 600 Watt Medical Desktop Power Supply

# PHASIUM

BY MEGMEET

## Medical Power Specialists



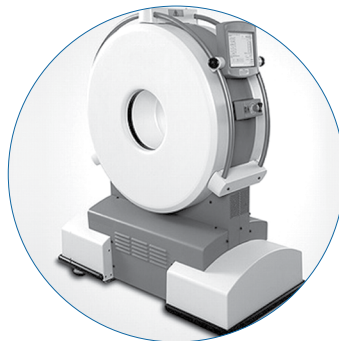
Reliable and efficient low-cost single DC output 600W AC/DC converter ideal for products that run 24 hours, 7 days a week. This high efficiency Class I power supply meets Class B EMI limits, delivering high current while meeting all the latest international safety and EMC requirements. A variable speed fan insures cooling with the lowest noise possible. Features include remote On/Off, Power OK and DC OK signals.

### Key Features

- Medical 60601-1 Safety Approvals
- Internal Variable Speed Fan Forced-Air Cooling
- High Efficiency - 90% Typical At Full Load
- Remote On/Off, Power OK & DC OK
- 5V5DB @ 100mA Output
- Universal AC Input With Active PFC
- EN55011 / FCC Part 15J Class A Emissions
- 3 Year Warranty



Oxygen Generator



Portable CT



MRI Machine



X-Ray Systems

# PHASIUM

BY MEGMEET

POWER@PHASIUMPOWER.COM

Models	Main Output	Output Current	Ripple & Noise (Max)	Standby Output
<b>MP600-12</b>	12V	50.0A	120mV	5VSDB @ 100mA
<b>MP600-19</b>	19V	31.6A	190mV	5VSDB @ 100mA
<b>MP600-24</b>	24V	25.0A	240mV	5VSDB @ 100mA
<b>MP600-28</b>	28V	21.5A	280mV	5VSDB @ 100mA
<b>MP600-48</b>	48V	12.5A	480mV	5VSDB @ 100mA

### Technical Highlights

<b>Input Voltage</b>	90-264 VAC (Universal)	<b>Efficiency</b>	88/90 typical at 115/230 VAC, full load
<b>Leakage Current</b>	<100 $\mu$ A @ 264VAC	<b>Operating Temperature</b>	0°C ~ +40°C (Internal Fan Forced Air Flow)
<b>Output Voltage</b>	See Table	<b>Protection</b>	Internal 10A / 250V Fuse (Line & Neutral)
<b>Line Regulation</b>	$\pm 0.5\%$	<b>Isolation</b>	Input to Output 4000 VAC Input to Ground 1500 VAC Output to Ground 1500 VAC
<b>Load Regulation</b>	$\pm 2\%$	<b>MTBF</b>	300K Hours, Mil-217F at 25 °C, full load

Note: Product specifications are subject to change without prior notice.

