



FEATURES

- Medical 60601-1 Safety Approvals
- Small 3.27 x 1.69 x 1.27" Size
- AC Plug Options: US, UK, AUS or EU Wall Mount Packages
- 3 Year Warranty
- Class B Radiated and Conducted Emissions
- BF Compliant Isolation
- Custom colors available

INPUT SPECIFICATIONS

Input Voltage	90-264 VAC (Universal)
Input Frequency	47-63Hz
Input Current	0.8A _{RMS} at 115VAC
Inrush Current	<80A @ 230 VAC, Cold Start
Power Factor	EN61000-3-2, Class A
Leakage Current	<100µA @ 264VAC/60Hz
No Load Input Power	<0.1W No Load Input Power @ 240VAC

OUTPUT SPECIFICATIONS

Output Voltage	See Table
Line Regulation	±1%
Load Regulation	±5%
Minimum Load	None
Transient Response	±5%, 50% step-load, slew rate 1A/µS
Ripple / Noise	1% pk-pk typical
Turn-On Delay	3 seconds max @ 115VAC
Hold-Up Time	>10ms at 115VAC Input
Over-Voltage	110-140% Latching
Over-Load	Hiccup Mode, Auto-Recovery
Short Circuit	Hiccup Mode
Over-Temperature	Latching, recycle input and cool to reset

GENERAL SPECIFICATIONS

Efficiency	80-84% typical at 115/230 VAC, full load
Isolation	Input to Output 4000 VAC
MTBF	200K Hours, Mil-217F at 25 °C, full load
Weight	200g
Means of Protection	2xMOPP(Input to Output)

ENVIRONMENTAL SPECIFICATIONS

Operating Temperature	0°C ~ +50°C
Derating	5%/°C > 40°C, up to 50°C max
Storage Temperature	-20°C ~ +80°C
Operating Humidity	5~95% (non-condensing)
Operating Altitude	3000M (max)
Shock	49m/s ² (5G), 11ms on 3 axes, total 18 times
Vibration	10-500Hz, 19.6 m/s ² (2G), 20mins on 3 axes

EMC & SAFETY

Emissions	EN55011, FCC Part J15, Class B, Conducted EN55011, FCC Part J15, Class B, Radiated
Harmonic Current	EN61000-3-2 Class A
Voltage Flicker	EN61000-3-3
ESD	EN61000-4-2, 8kV contact, 15kV Air Discharge
EFT/Burst	EN61000-4-4, Level 3, Criterion A
Surge	EN61000-4-5 Installation Class 3, Criterion A
Conducted Immunity	EN61000-4-6, 3V _{RMS} (6V _{RMS,ISM band}), Criterion A
Radiated Immunity	EN61000-4-3, 3V/m(6V/m,ISM band), Criterion A
Magnetic Field	EN61000-4-8, 30A/m, Criterion A
Dips & Interruptions	EN61000-4-11, 0% 0.5 cycles, 1 cycles; 70% 25/30 cycles; 0% 300cycles; Criterion A/B/C
Safety Approvals	IEC60601-1, 3rd Edition ANSI / AAMIES60601-1 CSA 22.2 No. 60601-1 EN60601-1, 3rd Edition CE Mark (LVD)



MODELS	OUTPUT VOLTAGE	OUTPUT CURRENT	RIPPLE & NOISE (MAX)	MAX TOTAL REGULATION
MANGO25-9xy	9V	2.7A	90mV	±5%
MANGO25-12xy	12V	2.1A	120mV	±5%
MANGO25-15xy	15V	1.67A	150mV	±5%
MANGO25-19xy	19V	1.32A	190mV	±5%
MANGO25-24xy	24V	1.05A	240mV	±5%
MANGO25-28xy	28V	0.9A	280mV	±5%

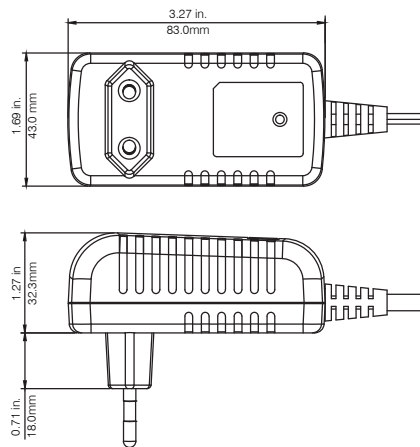
• Designate Wall Mount Package by replacing "x" with one of the following:

01 = US Wall Mount 02 = AUS Wall Mount 03 = UK Wall Mount 04 = EU Wall Mount

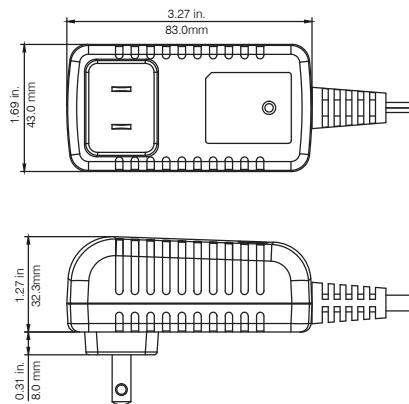
- Designate DC Connector by replacing "y" with "U" for Mini USB or "B" for Barrel Jack Connector. (5.5 x 2.1 x 11mm)
- Other Connectors available upon request, consult factory.
- Consult factory for unique Voltage setpoints or other modifications.

OUTLINE DRAWING

EU WALLMOUNT PACKAGE:

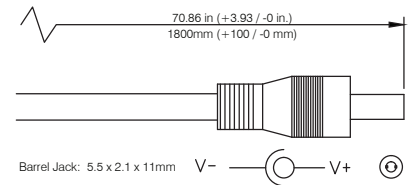


US WALLMOUNT PACKAGE:

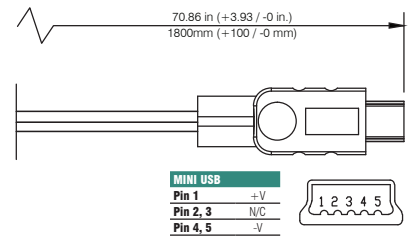


DC CONNECTOR OPTIONS:

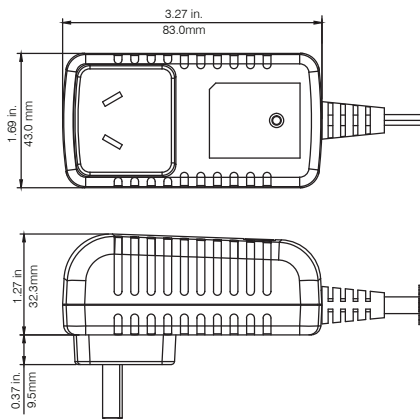
Type "B"
5.5 x 2.1 x 11mm



TYPE "U" CONNECTOR:
Mini USB Connector



AU WALLMOUNT PACKAGE:



UK WALLMOUNT PACKAGE:

